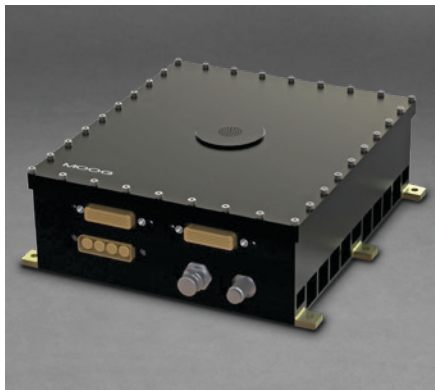
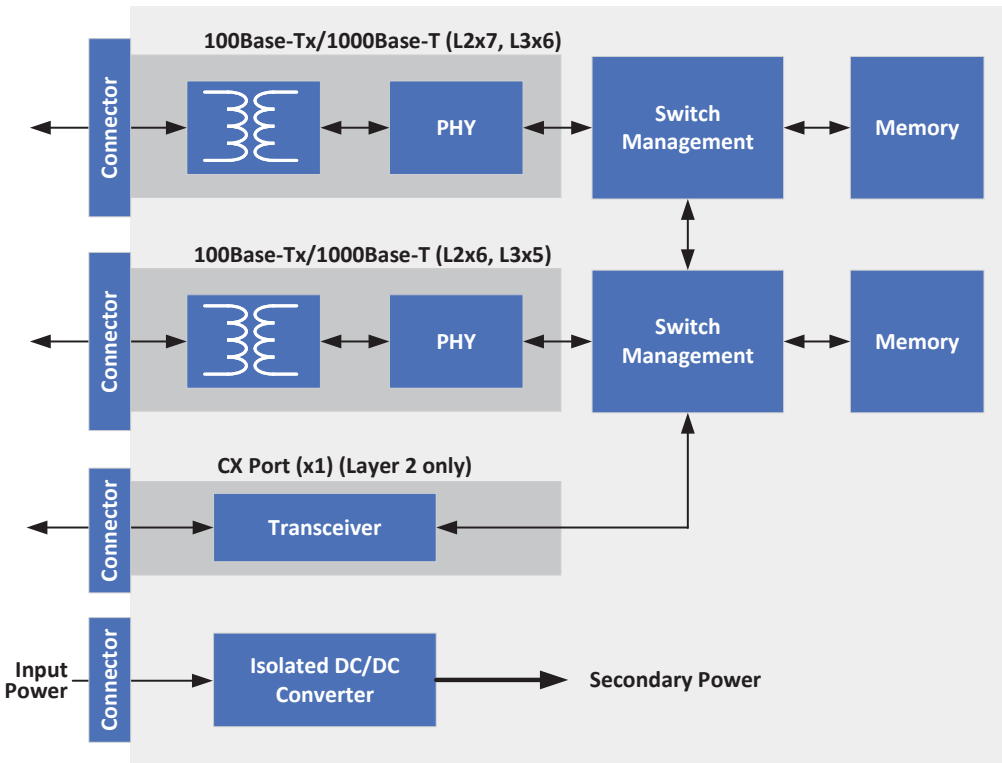


SPACE-QUALIFIED ETHERNET SWITCH



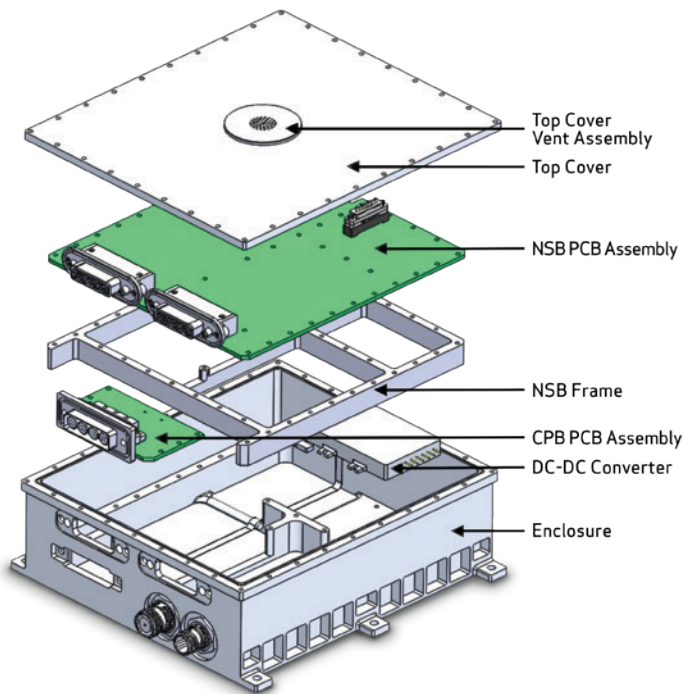
Moog's Layer 2 and Layer 3 Ethernet Switches are the industry's space-qualified switch rated for manned-flight applications. The switch is available in the following configurations:

- 11 Ethernet ports are available for Layer 3 switch
- 13 Ethernet plus 1 CX port are available for Layer 2 switch



Space-Qualified Ethernet Switch

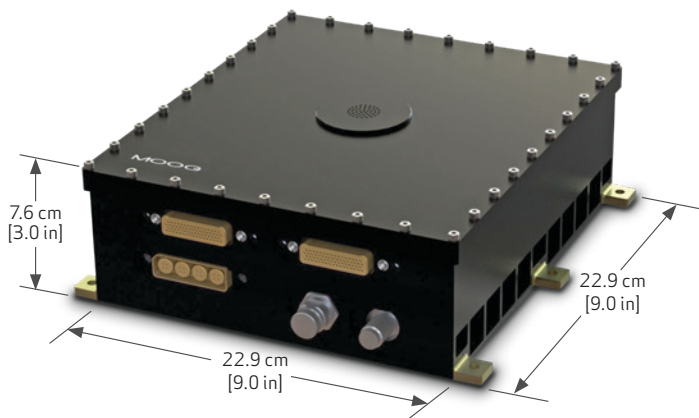
SPACE-QUALIFIED ETHERNET SWITCH



Space-Qualified Ethernet Switch Expanded View

KEY FEATURES

Layer 2 Switch	Layer 3 Switch
13 port 1000/1000BASE-T	11 port 1000/1000BASE-T
1 Port 1000BASE-CX	N/A
VLAN Support	
SNMP Support	
IEEE-1588 Time Synchronization	
Also available in IEEE-INST-002 Level-2 and Level-3 Parts	
Power: 26 Watts	
Mass: 9 Lbs	
Operating temperature: -24 to +61C	



Space-Qualified Ethernet Switch Dimensions



For More Information:

Phil Tokeshi

2228 W Guadalupe Rd, Gilbert AZ 85233

ptokeshi@moog.com • www.moog.com



Moog Space and Defense



@MoogSDG



@MoogSDG



@MoogSDG



@MoogInc

Equipment described herein falls under the jurisdiction of the EAR and may require US Government Authorization for export purposes. Diversion contrary to US law is prohibited.

© 2022 Moog, Inc. All rights reserved.

Product and company names listed are trademarks or trade names of their respective companies.